



OXYGEN CONCENTRATOR USER GUIDE






Please read this manual thoroughly

before using the Device

CONTENTS:

Subjects	Page No.
1. General Information	4
2. Safety Guidelines	5
3. Starting-up/Installation	6
4. Operating Principles	7
5. Preventive Maintenance	8
6. Troubleshooting	9
7. Airflow Diagrams	10
8. Technical Characteristics	11
9. List of Accessories	12
10. Guarantee (terms & conditions)	13
11. Our other products	14
12. Certificates	15
13. Representatives in Europe	16
14. Manufacturer information	17
15. Authorized Technical Services	18

GLOSSARY OF SYMBOLS:

			SN
CAUTION CONSULT ACCOMPANYING DOCUMENTS	DATE OF MANUFACTURE	MANUFACTURER	SERIAL NUMBER

1. GENERAL INFORMATION:

This user guide has been prepared to inform about HEALTHTIME / HEALTHTIME PLUS Oxygen Concentrator to the consumers. Please be sure that you have gone thoroughly this manual before using the device.

These days a lot of people suffering from cardiac, lung & other respiratory malfunctioning owing to day to day increase in air pollution level. Large numbers of them are taking the advantage of concentrated oxygen treatment in hospitals and home as well.

HEALTHTIME / HEALTHTIME PLUS Oxygen Concentrator is designed to supply supplemental oxygen to persons requiring low flow oxygen therapy at home. The device produces oxygen enriched products by concentrating the oxygen content of ambient air having oxygen content of 21% using Pressure Swing Absorption (PSA) technique of NASA to a oxygen purity of 90% (+/- 3%). Hence, it helps you to receive your most intended oxygen therapy. With the help of nasal cannula linked with the device the patient can receive high concentrated oxygen directly.

The HEALTHTIME / HEALTHTIME PLUS is easy to use. It has a Safety and Solid body, 2x16 LCD screen, digital timer to show total using time and outlet oxygen percentage (for OSD device only). Electrical cut-off warning for safety against high pressure, low pressure & high temperature. Thermo protected compressor. Light in weight and easy to carry. Audio visual warning (alarm) system for periodic change of Nasal Cannula, Pull Filter & Water Flask.

2. SAFETY GUIDELINES:

The HEALTHTIME / HEALTHTIME PLUS must only be used for purposes mentioned in this manual!

Do not use this device as Life Supporting or Life Sustaining unit. Use your device according to your doctor's prescription and advices only, otherwise it may present a risk to the health of you (patient).

Use of highly concentrated oxygen could be dangerous if not prescribed by authorized person. Please keep spare oxygen sources such as oxygen tube or bag ready for the patient considering possible malfunctioning of the device may occur anytime. Keep the device up right position during transportation to avoid damage in the cabinet. Switch off the device when not used by the patient.

During transportation or when not in use unplug the power supply cord. Do not allow unauthorized person to open the cabinet of the device. If the electric supply line suffers from frequent voltage fluctuation, we suggest using Voltage Regulator for the device to avoid unwanted damages in the sensitive electronic parts of the device.

Do not unplug the power cable by hanging it on the device or by pulling the cable.

Do not leak water on the device or immerse the device into water. If you think there is a chance of water may come in contact with the device, please unplug the power cable and inform technical service.

Do not open the cabinet of the device when power cable connected. Only authorized technical service personnel is permitted to open the device. There are no parts inside the device which you can repair.

Do not put the nasal cannula under heavy material like bed or cushion.

Keep the device under surveillance when used by aged, child or disabled patient who may not be able to inform any malfunctioning of the device may take place during the treatment.

Call your doctor immediately in case of slightest disturbance seen in the patient during treatment.

HEALTHTIME / HEALTHTIME PLUS device produce highly concentrated oxygen which is not flammable but accelerates the combustion of material. To avoid all risk of fire do not smoke nearby the device and other accessories. HEALTHTIME / HEALTHTIME PLUS should be kept away from all flames, incandescent sources and sources of heat, as well as combustible products like oil, grease, solvents, aerosols, etc.

The manufacturer or seller of the device is not responsible for the problems that may occur due to wrong, unnecessary or unintended use of the device or use of wrong electrical voltage which not comply with electrical safety rules.

3. STARTING-UP / INSTALLATION:

Please control the packing and the device on arrival. If there is any deformation or damage in the packing or in the inside materials, please inform the courier or the seller of the goods immediately. Take out from the package all components carefully controlling crash, breakage or any other damages.

NOTE: If HEALTHTIME / HEALTHTIME PLUS Oxygen concentrator will not be used immediately, we suggest keeping the components inside the package until use.

Let stand four (4) hours in user environment before start using the device.

Fill the water bowl with boiled and cooled water and close the lid. Take care of not over filling the water bowl out of its maximum mark. The water bowl must be cleaned with soap & water and rinsed properly once in a week. The water level of the bowl should be checked frequently and do not permit to go down to its minimum mark by adding water regularly. Connect the intermediate cannula between device and patient unit (flow meter unit). Place the water bowl in its position in patient's unit as shown in picture. Plug in the electrical cable and start the device by pushing the OFF-ON switch to ON position. Adjust the flow rate of concentrate oxygen with the help of inbuilt flow meter within the range of 0-5 Lt./min. as per doctor's prescription. The ball located inside the flow meter will indicate the adjusted flow rate of oxygen. Please consult with "Troubleshooting" section of this manual if the device is not running properly.

To use a new device for the first time it is recommended to run the device for 30 min. without patient. This period is necessary to achieve 90% oxygen concentration level at the initiation. Repeat the same procedure if the device is not used for a time period of 15 days or more. For daily use there is no need of following this instruction.

4. OPERATING PRINCIPLES:

Please the device at the most suitable place in the room or near to the patient. The device can be moved easily with the help of wheel fitted with the cabinet. Do not cover the concentrator with any covering material. There should be at least 30 cm. distances between the device & the furniture in the room and the walls to avoid blocking in environmental air inlet to the device. Do not block the air inlet to oxygen concentrator by any means. Do not place the device on soft floors like bed, sofa etc. it may block air flows to the device. Keep the device always vertical position and do not use the device during bath.

Do not smoke near the device when running. Keep the device away from sources of fire and heat. It is dangerous to use the device with dirty filter or without filter. Never run the device with wet filter. Control the nasal cannula in a regular interval against twisting, leaking or bursting. Replace the damaged cannula with new one. Like most other electronic devices HEALTHTIME / HEALTHTIME PLUS too is very sensitive towards radio frequency waves (parasites), please be aware of using mobile phones when running the device. To get best efficiency from the device we suggest not shutting down and opening the device frequently in a short interval which may cause loss in life period of the device too.

5. PREVENTIVE MAINTENANCE:

Please switch off the device and unplug the power supply cable before maintenance operation start.

CLEANING OF OUTER CABINET:

Do not use any liquid cleaning agent directly on the device. Petroleum based solvent & cleaner not to be used. Wipe the outer face of the cabinet with wet sponge and dry properly once in 30 days.

CLEANING OF DUST FILTER:

Take out the dust filter placed at rear side of the device once in every 7 days. The black color dust filter may clean from dust by simply shaking it and then wash with water only. Put in place after drying properly.

CHANGING OF PULL FILTER:

Replace the Pull Filter with a new one when there is a warning on LCD screen or once in every 60 days.

CHANGING OF NASAL CANNULA:

Replace the Nasal Cannula with a new one if there is a warning on LCD screen or once in every 30 days.

CLEANING AND CHANGING OF WATER BOWEL:

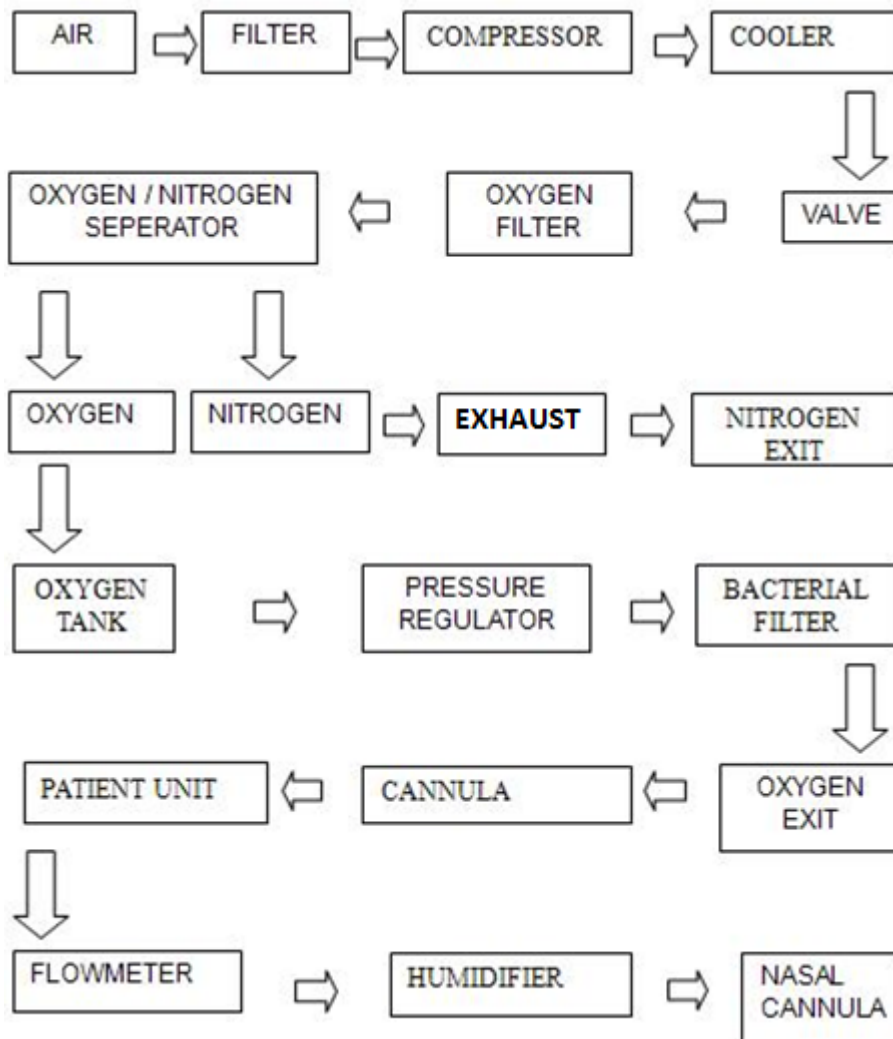
In every 7 days clean with soap and water and rinse properly and replace with a new one when there will be a warning on LCD screen or once in every 90 days.

6. TROUBLESHOOTING:

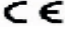
OBSERVATION	PROBABLE REASON/CAUSES	SOLUTION
On opening there is no alarm and device is not running.	Electrical power supply cord is not properly connected either with device or in plug. There is no electricity in the plug, fuse burnt out.	Connect the electrical cord properly both ends. Test if there is electric in the plug or put the cord in another plug. Change the fuse.
Alarm due to high temperature.	System may be turned to high temperature protecting mode.	Clean the black filter located at the rear side of the device. Check whether the ventilation is sufficient all around the device. Cooling fan may not working. Call authorized technical service. Keeps the device waiting for 40-50 mins. in switched off position then reopen, if problem continue call technical service.
High pressure alarm.	System may turn to high pressure protecting mode.	Control the Nasal Cannula against possible breaking, twisting. Control the water bowel against clogging. Check whether flow meter is open or closed. If the situations still continue please call Authorized Technical Service.
Low Pressure Alarm.	System may turn to low pressure protecting mode.	Control the dust filter, if require clean it. Flow meter may setted at 5 lt./min. reset it to a lower value. Please check, intermediate connecting hose may not be connected. If the problems still continue call technical service.
Low alarm sound.	Low alarm battery.	Consult with authorized technical service centre.
Call technical service if the suggested troubleshooters are not helpful for solution of problems.		

For problems not mentioned in this table, please consult with authorized technical service.

7. AIRFLOW DIAGRAM:



8. TECHNICAL CHARECTERISTICS:

OXYGEN FLOW RATE	0-5 LPM
OXYGEN FLOW RATE ADJUSTMENT	0.5LPM
OXYGEN CONCENTRATION	93% ± 3 (5 lt./min.)
OXYGEN SENSOR (OSD)	YES (OPTIONAL)
OUTLET PRESSURE	8 ± 1 PSI
NOISE LEVEL	43 dBA
VOLTAGE / CURRENT	AC 230 V / 50-60 Hz / 1.60 A ± 10%
POWER CONSUMPTION	290 WATTS ± 10%
WEIGHT	14 Kg. (NETT)
DIMENTIONS	39 X 44 X 58 cm (CARTON BOX)
WORKING CONDITIONS	10°C - 40°C, 20% - 60% RH
STORAGE CONDITIONS	10°C - 60°C, 10% - 95% RH
WORKING MODE	CONTINUOUS
ELECTRICAL SAFETY	TYPE -B, CLASS II
CERTIFICATES	ISO 9001, ISO 13485,  1984

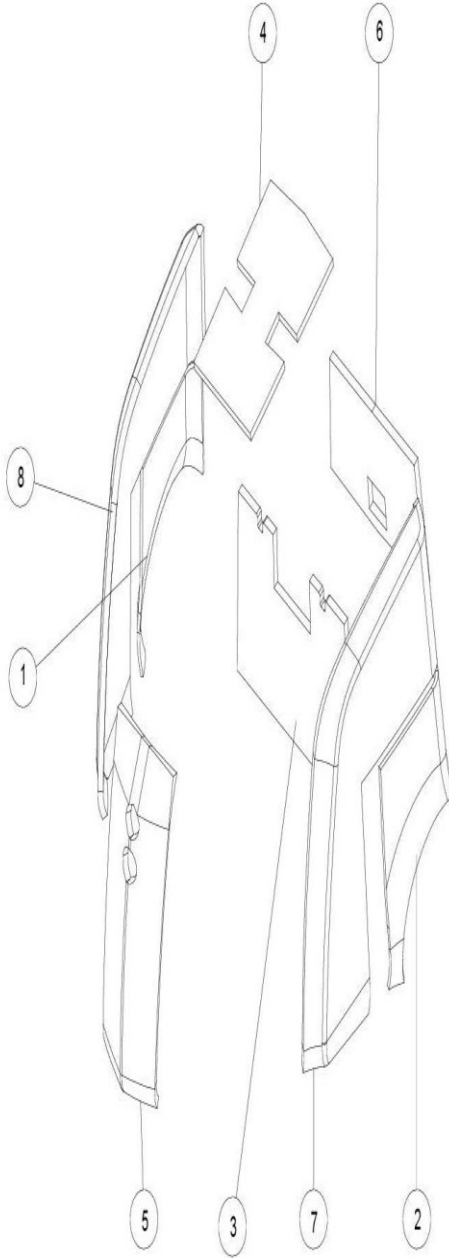
9. LIST OF ACCESSORIES:

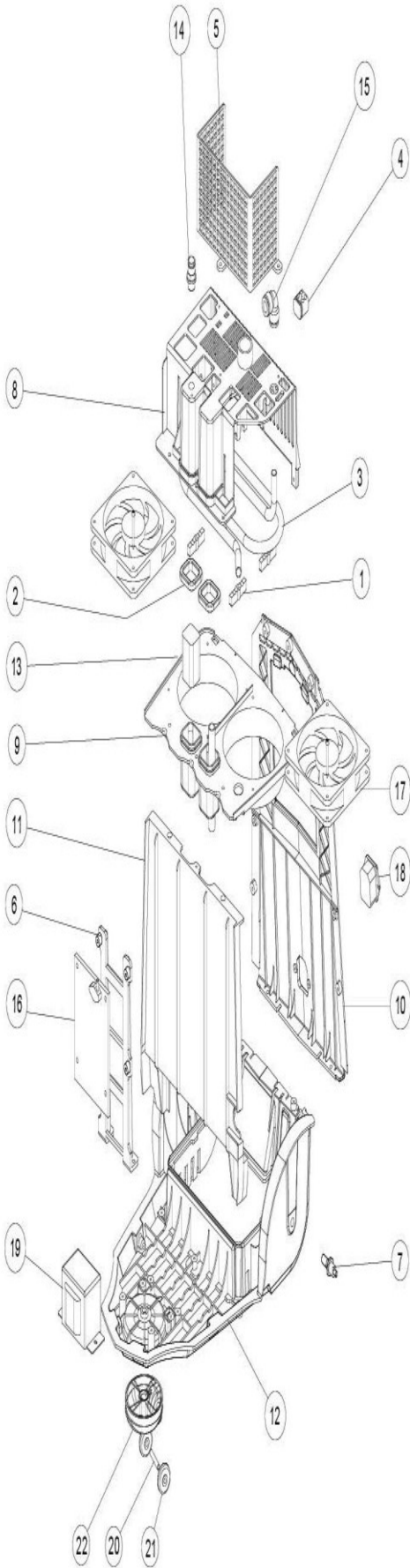
NASAL Cannula:	1 Pc.
Water Bowl:	1. Pc.
Intermediate connecting Cannula:	1 Pc.

10. GUARANTEE TERMS & CONDITIONS:

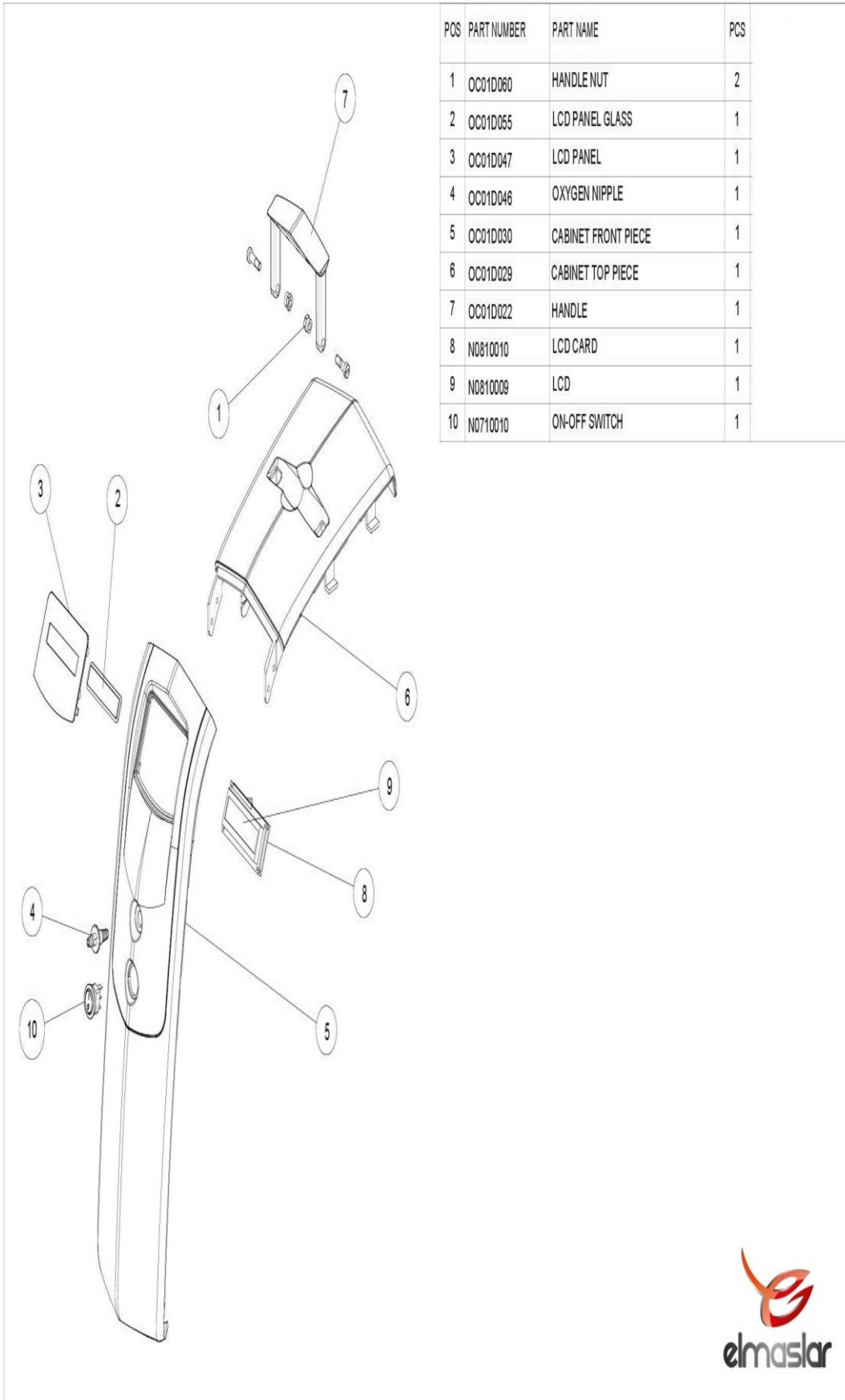
- Guarantee period of the sold goods starts from the date of delivery to the consumer and valid for TWO (2) years.
- In case of malfunctioning within the warranty period, repair time is added to the warranty period. Maximum repairing period is 30 (Thirty) working days.
- If you have any objection regarding the device, please return the device to the company from where you bought the device or to the manufacturer by prepaid cargo along with the sales certificate and the guarantee certificate.
- Problems appeared due to wrong or misuse of the device is not covered under warranty.
- Opening of the device by unauthorized person will cause device to remain outside of the scope of the warranty.
- The guarantee for the device will only be valid once the consumer accepts after reading all terms and conditions mentioned here.

POS	PARCA NO	PART NUMBER	PCS
1	N1010013	COMP. ROOM SPONGE (RIGHT)	1
2	N1010012	COMP. ROOM SPONGE (LEFT)	1
3	N1010010	MIDDLE VERTICAL SPONGE	1
4	N1010009	CABINET TOP PIECE SPONGE	1
5	N1010008	CABINET FRONT PIECE SPONGE	1
6	N1010007	CABINET REAR PIECE SPONGE	1
7	N1010006	SIDE COVER SPONGE (LEFT)	1
8	N1010005	SIDE COVER SPONGE (RIGHT)	1

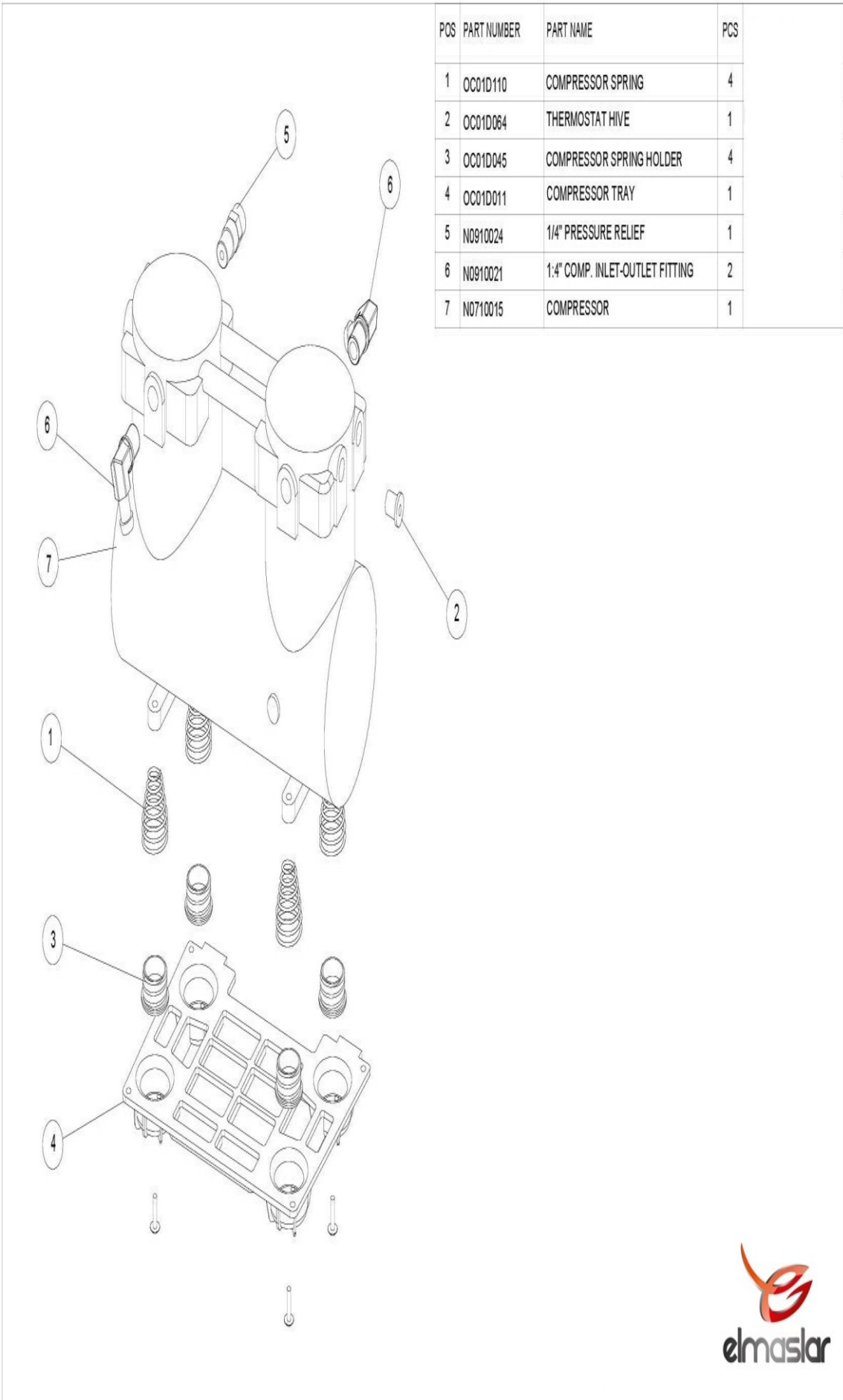




POS	PART NAME	PART NUMBER	PCS
1	OC01D066	CLAMP	4
2	OC01D063	SEAL	2
3	OC01D061	COOLER (OC)	1
4	OC01D057	PLUG (FAN CAGE)	1
5	OC01D056	PALL FILTER CAGE	1
6	OC01D052	CARD HOLDER	1
7	OC01D049	REAR CASTER AXLE	2
8	OC01D015	FAN CAGE	1
9	OC01D014	FAN HOLDER	1
10	OC01D013	REAR CABIN PIECE	1
11	OC01D012	MIDDLE PLANTING	1
12	OC01D010	LOWER TRUNK	1
13	N1010004	SILENCER FOAM	1
14	N0910025	1/4x10 Q FITTING	1
15	N0910023	10x10 QL FITTING	1
16	N0810008	CONTROL CARD	1
17	N0710017	OC FAN	2
18	N0710012	POWER SOCKET	1
19	N0710011	TRANSFORMER (OC)	1
20	OC01D050	FRONT CASTER PIN	1
21	OC01D024	FRONT CASTER	2
22	OC01D023	FRONT CASTER HOUSING	1

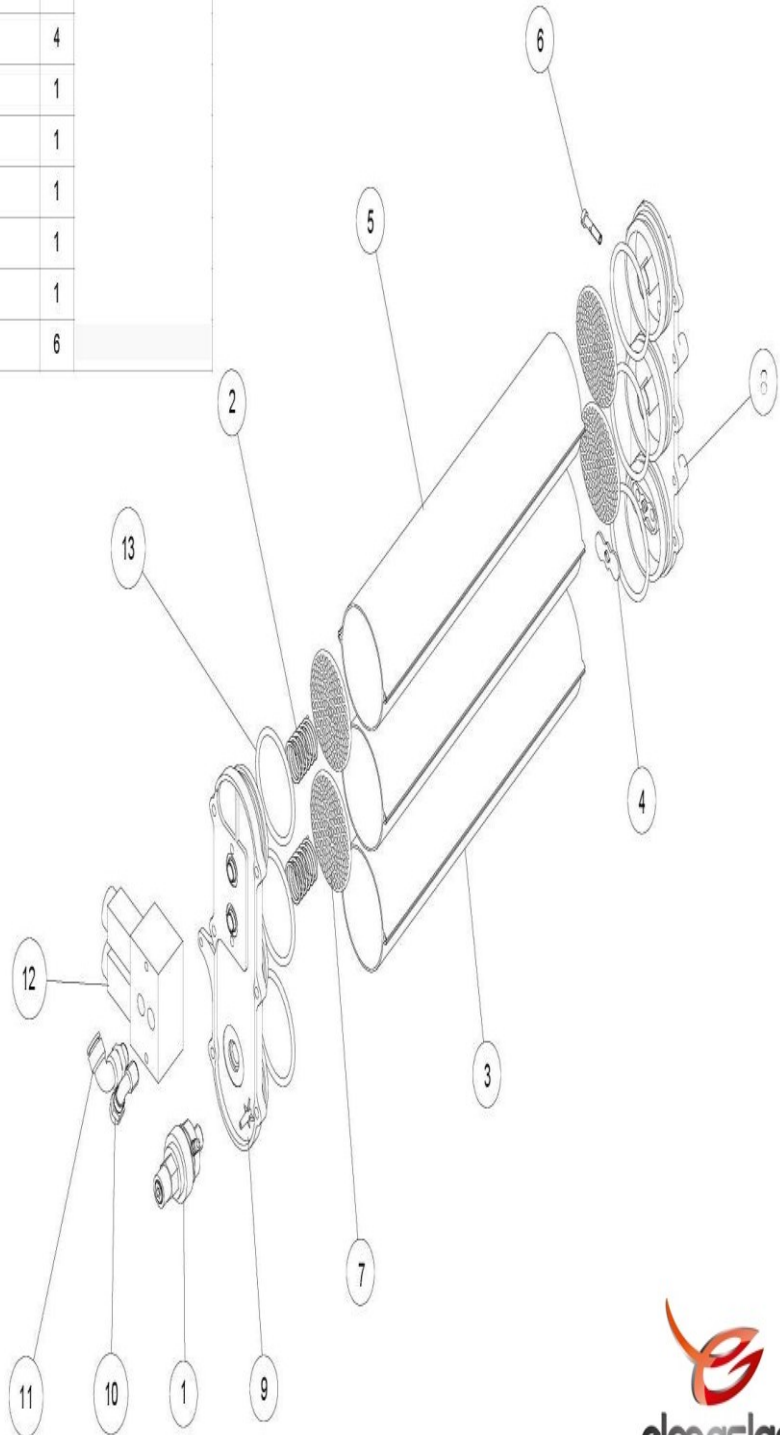


POS	PART NUMBER	PART NAME	PCS
1	OC01D060	HANDLE NUT	2
2	OC01D055	LCD PANEL GLASS	1
3	OC01D047	LCD PANEL	1
4	OC01D046	OXYGEN NIPPLE	1
5	OC01D030	CABINET FRONT PIECE	1
6	OC01D029	CABINET TOP PIECE	1
7	OC01D022	HANDLE	1
8	N0810010	LCD CARD	1
9	N0810009	LCD	1
10	N0710010	ON-OFF SWITCH	1

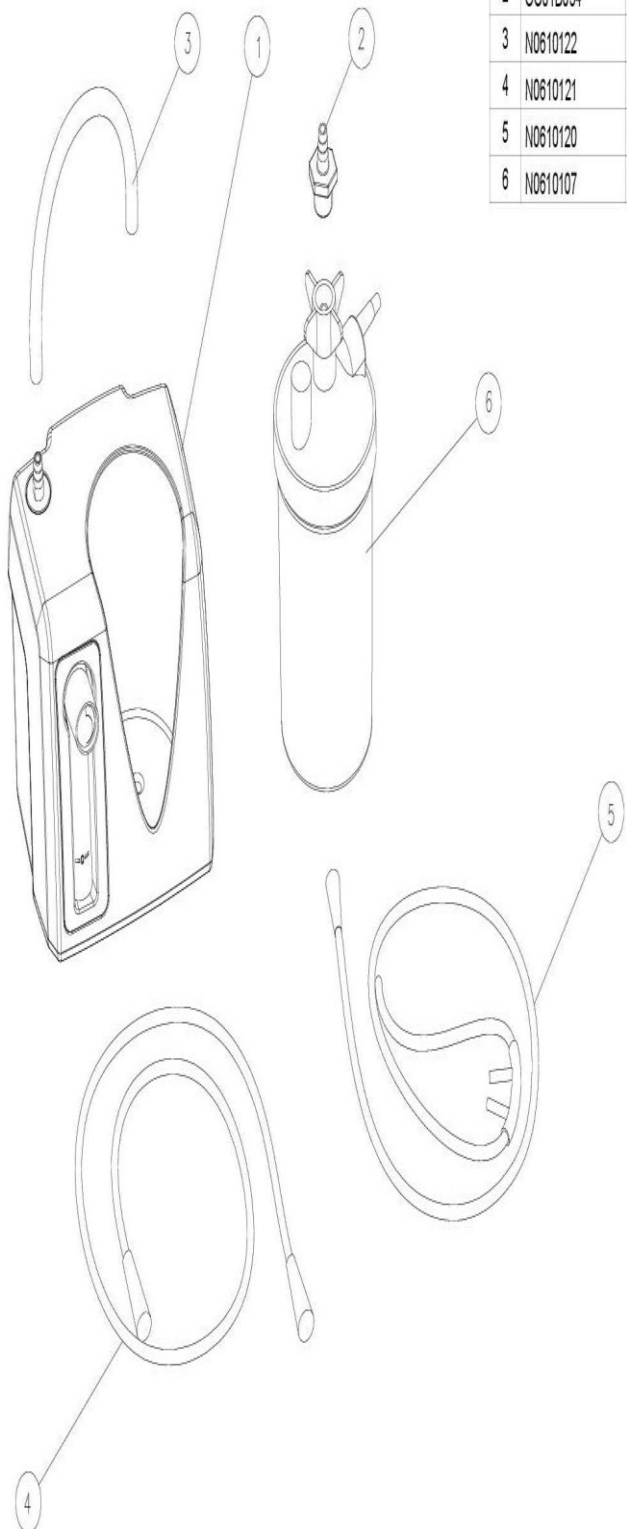


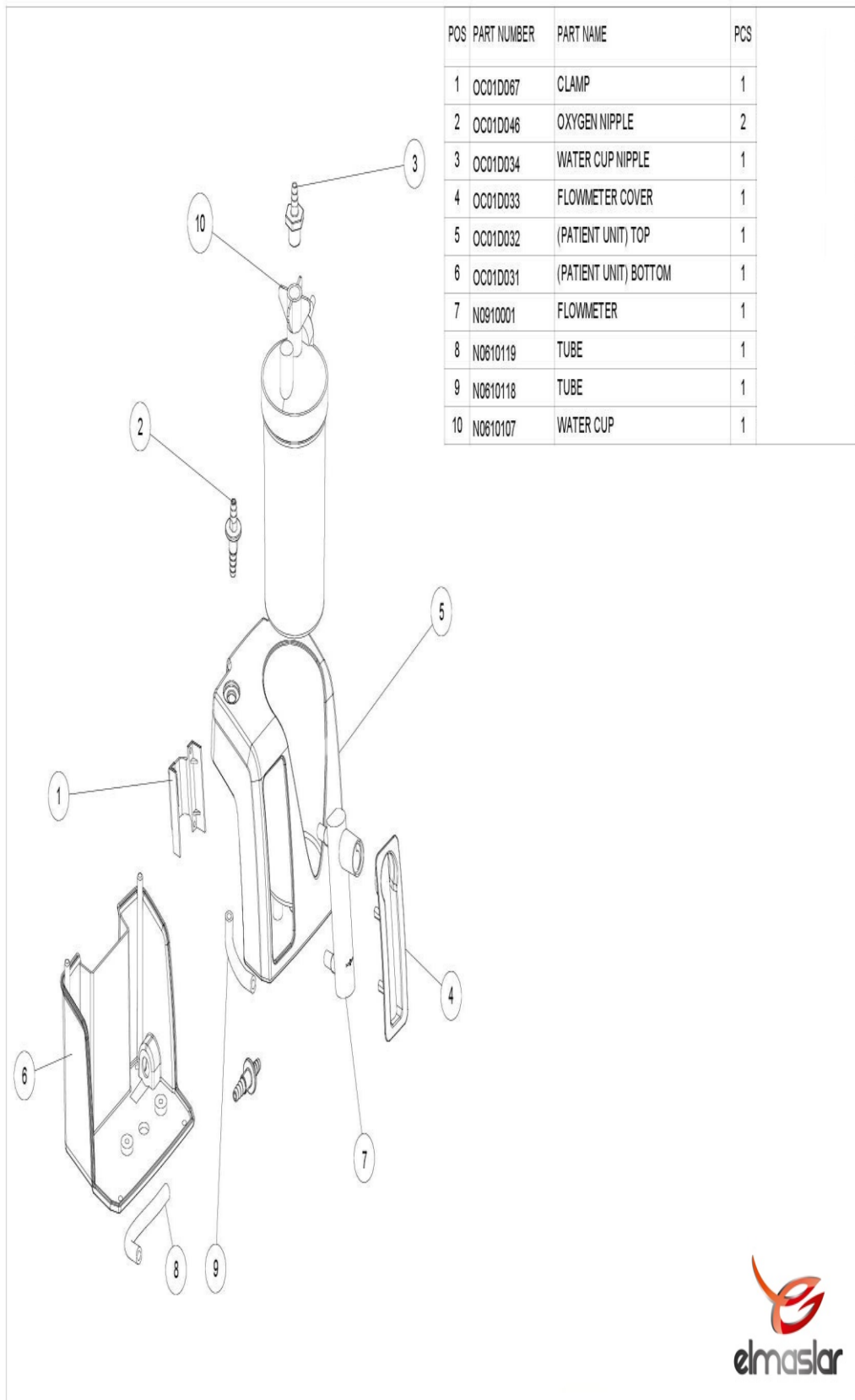
POS	PART NUMBER	PART NAME	PCS
1	OC01D110	COMPRESSOR SPRING	4
2	OC01D064	THERMOSTAT HIVE	1
3	OC01D045	COMPRESSOR SPRING HOLDER	4
4	OC01D011	COMPRESSOR TRAY	1
5	N0910024	1/4" PRESSURE RELIEF	1
6	N0910021	1.4" COMP. INLET-OUTLET FITTING	2
7	N0710015	COMPRESSOR	1

POS	PART NUMBER	PART NAME	PCS
1	OC01M006	REGULATOR	1
2	OC01D113	SPRING (COLUMN)	2
3	OC01D065	OXYGEN TANK	1
4	OC01D062	CHECH VALVE	1
5	OC01D059	COLUMN TUBE	2
6	OC01D058	BYPASS	1
7	OC01D048	COLUMN FILTER	4
8	OC01D026	COLUMN LOWER COVER	1
9	OC01D025	COLUMN UPPER COVER	1
10	NO910022	1/4x10 L FITTING	1
11	NO910020	1/4x10 QL FITTING	1
12	NO910002	VALVE	1
13	NO510003	Ø4x55 O-RING (COLUMN)	6



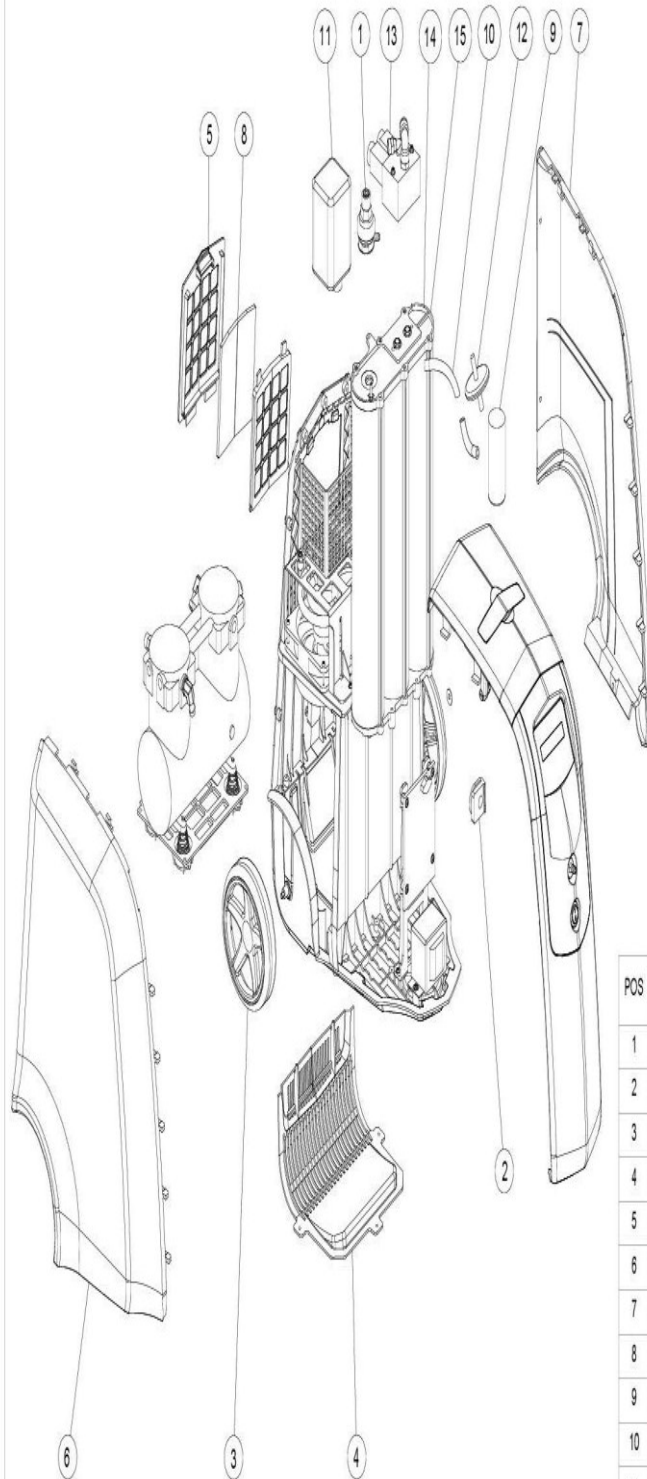
POS	PART NAME	PART NUMBER	PCS
1	OC01M007	PATIENT UNIT	1
2	OC01D034	WATER CUP NIPPLE	1
3	NO610122	TUBE	1
4	NO610121	INTER CONNECTION CANNULA	1
5	NO610120	CANNULA	1
6	NO610107	WATER CUP	1





POS	PART NUMBER	PART NAME	PCS
1	OC01D067	CLAMP	1
2	OC01D046	OXYGEN NIPPLE	2
3	OC01D034	WATER CUP NIPPLE	1
4	OC01D033	FLOWMETER COVER	1
5	OC01D032	(PATIENT UNIT) TOP	1
6	OC01D031	(PATIENT UNIT) BOTTOM	1
7	N0910001	FLOWMETER	1
8	N0610119	TUBE	1
9	N0610118	TUBE	1
10	N0610107	WATER CUP	1





POS	PART NUMBER	PART NAME	PCS
1	OC01M006	REGULATOR	1
2	OC01D054	CABLE HOLDER	1
3	OC01D027	REAR CASTER	2
4	OC01D021	BOTTOM AIR COVER	1
5	OC01D019	OUTER FILTER COVER	1
6	OC01D017	CABINET SIDE COVER RIGHT	1
7	OC01D016	CABINET SIDE COVER LEFT	1
8	N1010011	BACK COVER FILTER	1
9	N0710014	CAPACITOR	1
10	N0610114	OXYGEN OUTPUT HOSE	1
11	N0610108	PALL FILTER	1
12	N0610022	BACTERIA FILTER	1
13	N0910002	VALVE	1
14	OC01M005-1	SET OF TANK COLUMN	1
15	OC01M005-2	CHANGE OF TANK COLUMN	1

11. MANUFACTURER:

ELMASLAR IMALAT TIBBI CIHAZLAR ITHALAT IHRACAT A.S.

ASO 1. ORGANIZED INDUSTRIAL ZONE, BABURSHAH STREET, NO. 1

SINCAN 06930 / ANKARA / TURKEY

TEL: +90 312 394 8001 FAX: +90 312 394 8004

e-Mail: info@elmaslarmedikal.com.tr

Web: <http://www.elmaslarmedikal.com.tr>